



# WALL MOUNTED CABLE MANAGEMENT INSTALLATION GUIDE

## PLEASE NOTE:

This installation guide includes the latest information at the time of printing. Enphase Energy, Inc. reserves the right to make changes to this product without further notice. Changes or modifications to this product by other than an authorized service facility may void the product warranty.

## Before Beginning:

Read these instructions completely, including the Safety Instructions. If there are questions about the use of this product, please contact a Service Representative.

## Note to the Installer:

Be sure to leave these instructions with the user.

## Note to the User:

Keep these instructions for further reference.

## Tools Required for Assembling the Wall Mounted Cable Management System

The following tools are required for the installation and assembly of the Wall Mounted Cable Management Kit components.

- #2 Phillips Head Screwdriver
- 1/4" Slotted Screwdriver
- 5/16" Allen Wrench
- Those tool(s) most appropriate for the supporting structure and hardware chosen.

## Wall Requirements

The location, dimensions and composition of the mounting surface must comply with building codes. **Use the type of mounting hardware most appropriate for the supporting structure.**

- 2 1/2" lag bolts or longer with washers are recommended for use with strong wooden frames
- Solid surfaces such as concrete, brick, or stone will require solid-wall mounting hardware such as multi-sets, wedge anchors or sleeve anchors.

## Packing List

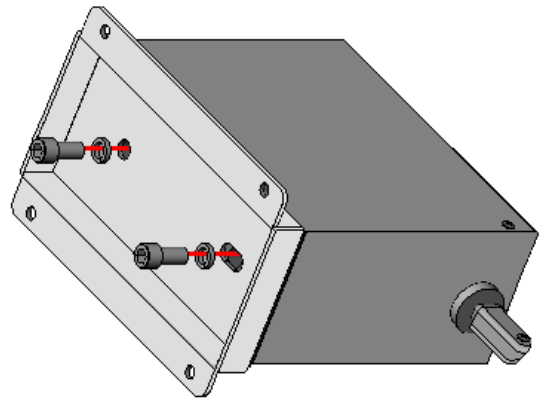
The following items are included in the Wall Mount Kit

- (1) Wall Mount Bracket
- (1) Cable Retractor Box
- (2) Hex Head Cap Screws 3/8"-16 Thread, 3/4" Long
- (2) 3/8" Split Lock Washers
- (1) Hose Clamp Package A (includes one (1) Hose Clamp A, four (4) #5 Phillips screws 5/8" long, one (1) 10-32 x 1 1/4" long scrow, and one (1) 10-32 nut)
- (1) Alternate Hose Clamp B (includes one (1) Hose Clamp B, four (4) #5 Phillips screws 5/8" long, one (1) 10-32 x 1 1/4" long scrow, and one (1) 10-32 nut)

## 1. Assemble the Retractor Mount

- Place a 3/8" Split Lock Washer around the shaft of each of the two (2) 3/8"-16 Thread, 3/4" Length Hex Head Cap Screws.
- Align the two holes in the Wall Mount Bracket with the threaded inserts of the Cable Retractor Box.
- Secure the Cable Retractor Box to the Wall Mount Bracket with the two (2) Hex Head Cap Screws and lock washers using a 5/16" Allen wrench.

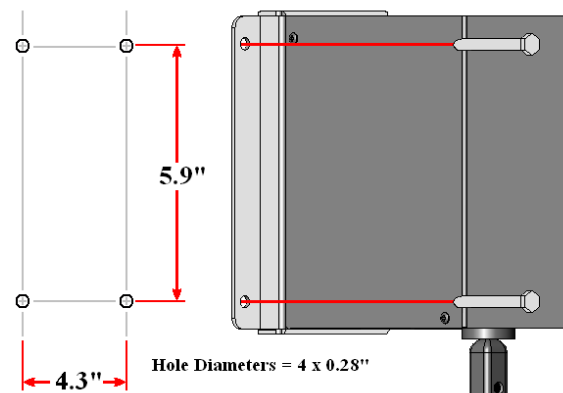
Figure 1: Retractor and Wall Mount Bracket Assembly



## 2. Secure the Retractor Assembly to the Wall

The Wall Mount Bracket should be mounted as close to the charging station as possible without interfering with vehicle or pedestrian traffic. This will ensure vehicle and pedestrian safety as well as provide the maximum reach of the EVSE (Electric Vehicle Supply Equipment) charge cable. Use the type of mounting hardware most appropriate for the supporting structure and always adhere to local codes. Refer to Figure 2.

Figure 2: Secure Bracket Assembly to Wall  
(Repeat for other side: four bolts total)

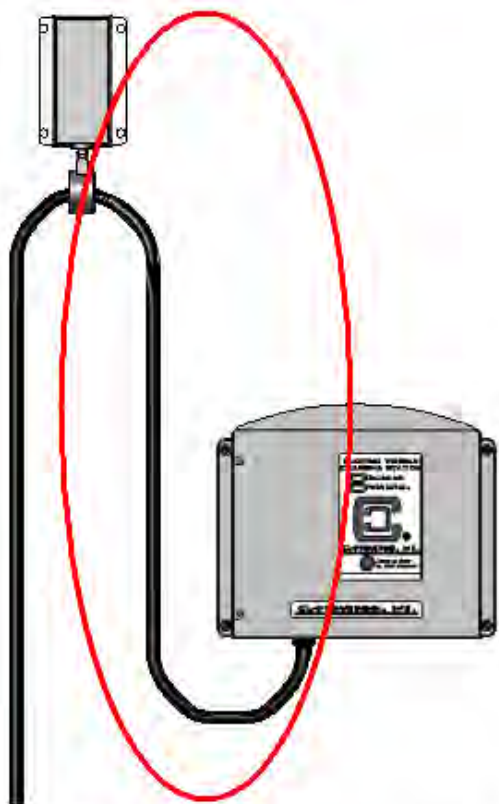


### 3. Attach the Hose Clamp

The cable management system requires that a hose clamp be attached to the EVSE charge cable and then to the Cable Retractor Box.

- The position on the EVSE charge cable where the hose clamp should be attached will depend upon the location of the Wall Mount Bracket in relation to the charging station. The purpose is to keep the EVSE charge cable off the ground where it exits the charging station. There should be no loops and very little sag in the EVSE charge cable between the charging station and the hose clamp. See Figure 3.

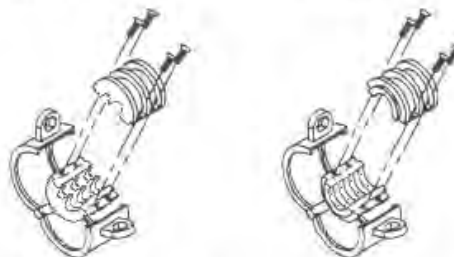
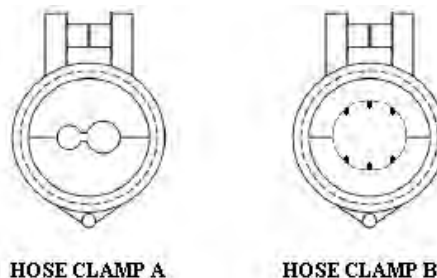
Figure 3: Positioning of the Hose Clamp



**For correct cable management, there should be no loops and very little sag between the Charging Station and the Retractor Hose Clamp as shown.**

- Two hose clamp sizes are provided. The CS-40 and lower amperage models use the hose clamp with two holes (Hose Clamp A). The CS-50 and higher amperage models use the hose clamp that has one hole (Hose Clamp B). See Figure 4 for Hose Clamp selection.
- Secure the hose clamp to the EVSE charge cable by tightening the four (4) #5 Phillips screws 5/8" long with a #2 Phillips screwdriver. Refer to Figure 4.

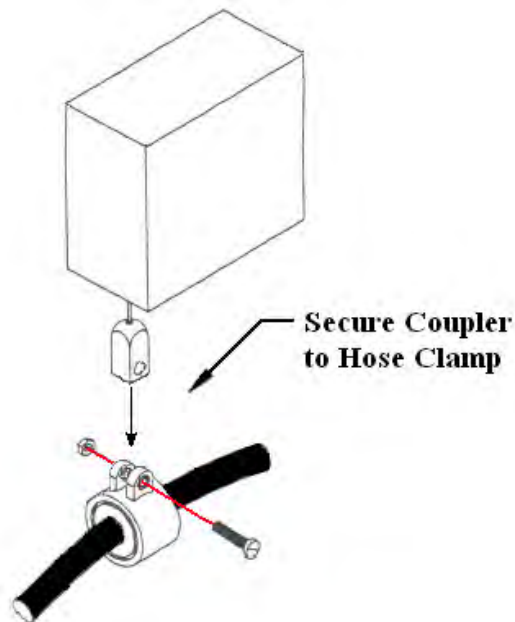
Figure 4: Hose Clamps



CS-40 and lower amperage charging stations require Hose Clamp A. CS-50 and higher amperage charging stations require Hose Clamp B.

- The hose clamp should not be moved once it is clamped onto to the EVSE charge cable. Do not try to pull or force the hose clamps into another position. If repositioning is required, remove the hose clamp completely and repeat the steps above.
- To connect the hose clamp to the Retractor Assembly, use the plastic coupler which is secured at the end of the Retractor cord.
- Fasten the hose clamp tightly to the plastic coupler using the 10-32 x 1 1/4" long screw and 10-32 nut provided in the hose clamp kit as shown in Figure 5.

Figure 5: Plastic Coupler



#### 4. Wrap Remaining EVSE Charge Cable

There is usually excess EVSE charge cable remaining.

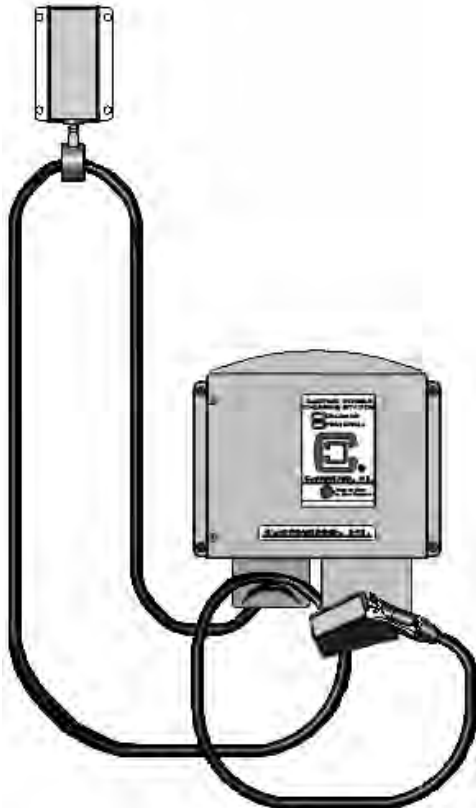
- The EVSE charge cable hanger is provided to wrap this excess around as needed.
- Insert the vehicle connector into the holster.
- Fig 6 shows an example of a completed installation.

#### 5. Adjust Retractor Box Cord Tension

To obtain proper tension for your specific installation, the Retractor Box cord tension should be adjusted with the EVSE charge cable already attached. The recommended procedure for adjusting tension of the Retractor Box cord is as follows:

- The protective cover must be removed from the Retractor Box. Remove the four Phillips screws using a #2 Phillips screwdriver and pull the cover off.
- **WARNING: Use caution when adjusting tension! The stored energy from the winding must be safely restricted while performing this adjustment.**
- Remove one loop at a time from the retractor reel until there is a slight droop in the retractor cord and it does not fully retract when unsupported.
- **IMPORTANT: Add one loop back in** to achieve full retraction while providing the lowest tension possible for end users.

Figure 6: Wrap Excess EVSE Charge Cable over Hanger



**CLIPPERCREEK**  
A division of Enphase Energy, Inc.

Visit us at [www.clippercreek.com](http://www.clippercreek.com)

Wall Mount Cable Management Installation Guide  
Version 1.7 February, 2022  
Copyright 2022 Enphase Energy, Inc.