

CS PEDESTAL MOUNT



CONVENIENT – BUILT TO LAST. ClipperCreek's CS product line have a *time-tested* mounting solution for all your installation needs. The only mounting options on the market with more than 20 years field experience. All units come with two knockouts perfectly situated for 120V outlets.

- **Low Cost** - Minimize your installation costs and mount one or two units on a single pedestal.
- **Tough** - 4" Cold Rolled Steel 1/4" thick, powder coated for lasting installation
- **Reliable** - Backed by ClipperCreek's 3-year warranty
- **Functional** - All units come equipped with 2 knockouts positioned for 120V outlets
- **Convenient** - Integrated cable holder and connector holster



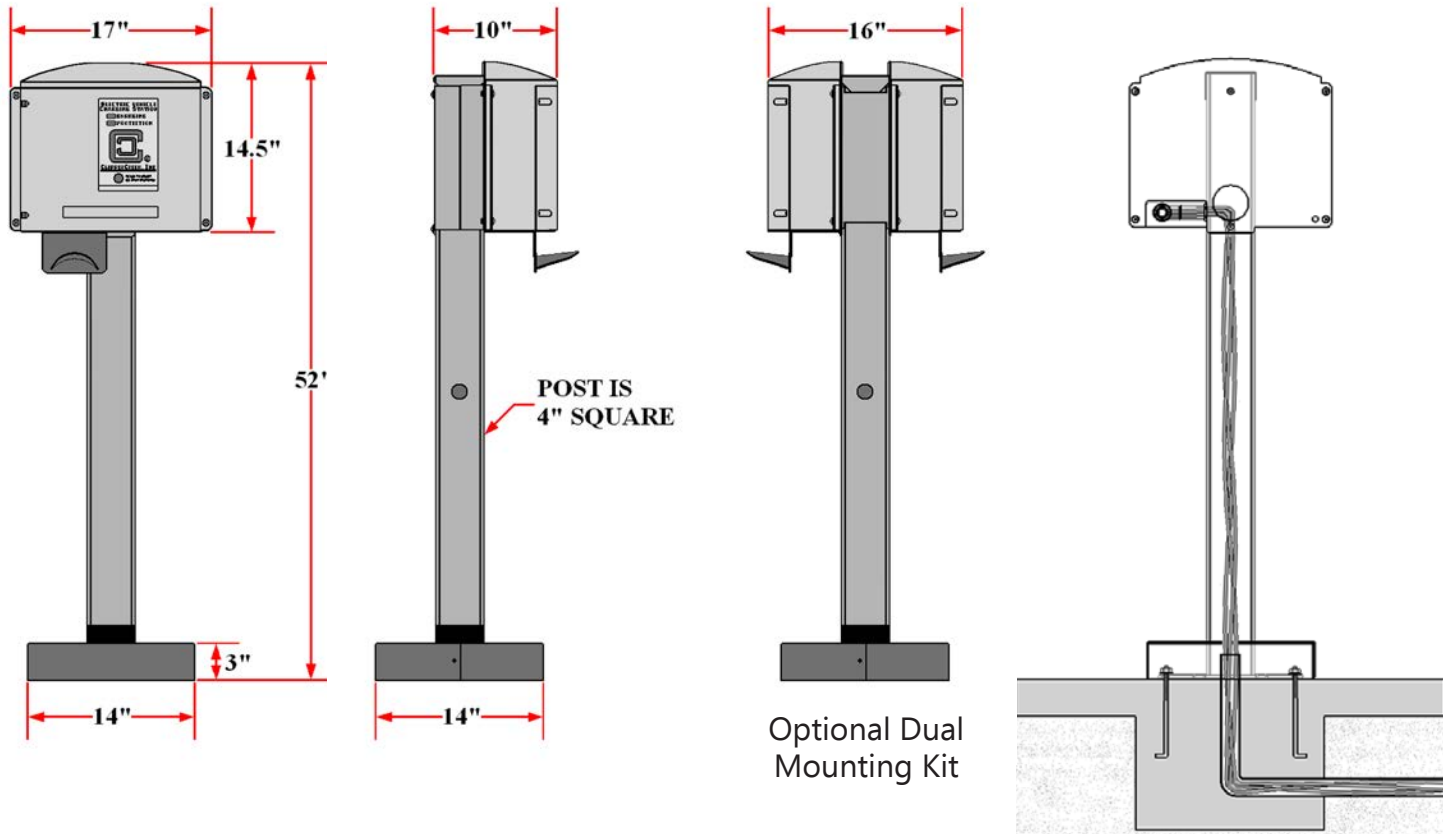
CLIPPERCREEK

A division of Enphase Energy, Inc.

CS PEDESTAL MOUNT

PRODUCT DIMENSIONS

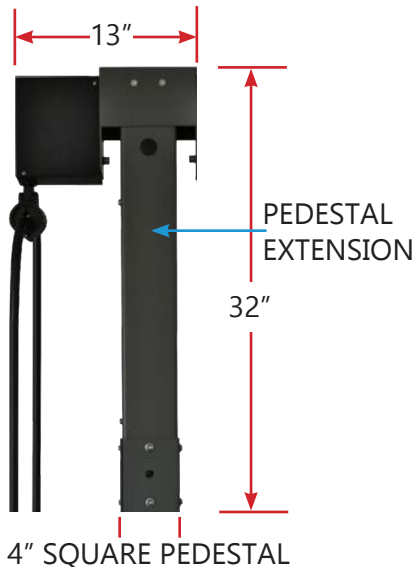
Call ClipperCreek Today!
877-694-4194
www.clippercreek.com



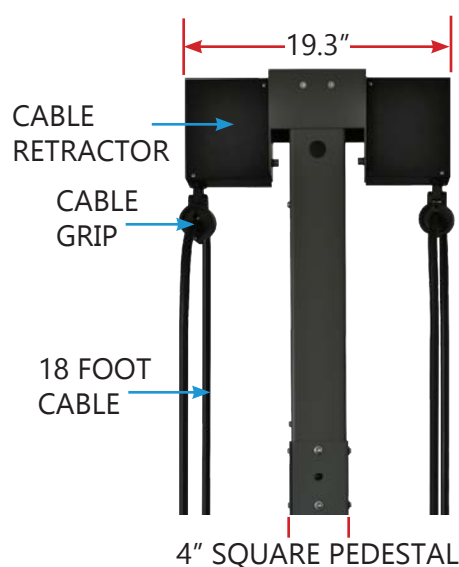
Add a cable management extension to the CS Pedestal to keep the cables neat and off the ground.

*18 foot cables on the HCS and CS stations are required for use with the Extension Kits. Please request at time of purchase.

SINGLE MOUNT EXTENSION KIT*



DUAL MOUNT EXTENSION KIT*



WALL MOUNT RETRACTOR

