



CLIPPERCREEK, INC.

**INNOVATIVE INFRASTRUCTURE FOR
ELECTRIC AND HYBRID VEHICLES**

**CS EVSE PEDESTAL
INSTALLATION GUIDE**



PLEASE NOTE:

This installation guide includes the latest information at the time of printing. ClipperCreek, Inc. reserves the right to make changes to this product without further notice. Changes or modifications to this product by other than an authorized service facility may void the product warranty.

Before Beginning:

Read these instructions completely, including the Safety Instructions. If there are questions about the use of this product, please contact a Service Representative.

Note to the Installer:

Some illustrations have been changed to grayscale to show detail for easier assembly. Your configurations may vary slightly from what is depicted in this manual. Be sure to leave these instructions with the user.

Note to the User:

Keep these instructions for further reference.



WARNING: This product can expose you to chemicals, including Carbon Black, which is known to the State of California to cause cancer. For more information go to: www.P65Warnings.ca.gov

Download or view the latest version of this Installation Guide please visit <https://www.clippercreek.com/installation-manuals>



CONTENTS

| | |
|---|-----------|
| IMPORTANT SAFETY INSTRUCTIONS | 5 |
| INSTALLATION REQUIREMENTS..... | 5 |
| Required Equipment for a Single-Mount Pedestal with One EVSE (One per Pedestal) | 5 |
| Required Equipment for a Dual-Mount Pedestal with Two EVSE (Two per Pedestal) | 5 |
| TOOLS REQUIRED FOR ASSEMBLING THE CS PEDESTAL KIT | 6 |
| TOOLS REQUIRED FOR WIRING THE CS EVSE..... | 6 |
| PEDESTAL DIMENSIONS | 7 |
| PACKING LISTS..... | 8 |
| Pedestal Kit, Standard 4 Foot Single Mount Kit) | 8 |
| Dual-Mount Kit for Standard 4 Foot (Optional Extension Compatible) | 8 |
| Optional 1” Conduit Assembly | 8 |
| INITIAL PEDESTAL INSTALLATION | 9 |
| Concrete Pad Requirements | 9 |
| Anchor Bolt Placement | 9 |
| Mounting the Pedestal Post | 10 |
| Install the Pedestal Base Cover | 10 |
| Remove the Pedestal Post Cap | 10 |
| Install the Conduit Assembly | 11 |
| Re-Install the Pedestal Post Cap | 13 |
| Install the CS EVSE Mounting Plate(s) | 14 |
| Install the Single EVSE Back Bracket | 14 |
| MOUNTING THE EVSE(S)..... | 15 |
| EVSE Knockout Removal | 15 |
| Mounting a Single EVSE to the Pedestal | 15 |
| Mounting Two EVSE to the Pedestal | 16 |
| FINAL PEDESTAL INSTALLATION..... | 16 |
| Seal the Conduit Enclosure | 16 |
| Wiring the Conductors to the EVSE | 16 |
| Install the CS Series Connector Holster(s) | 17 |
| Complete the Installation | 17 |
| Wrap and Stow the Vehicle Connector(s) | 17 |
| CUSTOMER SUPPORT | 18 |
| WARRANTY INFORMATION..... | 19 |



FIGURES

| | |
|---|----|
| 1. Pedestal Dimensions for Single-Mount and Dual-Mount Installations..... | 7 |
| 2. Pedestal Base Dimensions..... | 7 |
| 3. Installation Cross-Section | 7 |
| 4. Proper Distance from the Curb..... | 9 |
| 5. Bolt Pattern Template..... | 9 |
| 6. Pedestal Post Mounting by Pattern..... | 10 |
| 7. The Pedestal Base Covers | 10 |
| 8. Pedestal Post Cap Removal..... | 10 |
| 9. Standard ¾” Conduit Assembly | 11 |
| 10. Optional 1” Conduit Assembly | 12 |
| 11. Re-Install the Pedestal Post Cap..... | 13 |
| 12. The CS EVSE Mounting Plate | 14 |
| 13. The Single CS EVSE Back Bracket | 14 |
| 14. EVSE Knockout Position | 15 |
| 15. Mounting a Single CS EVSE | 15 |
| 16. Mounting Two EVSE with Side Brackets..... | 16 |
| 17. Tighten the Conduit Lock Nut..... | 16 |
| 18. Wire Service Conductors to the Chassis | 17 |
| 19. Install the CS Series Connector Holster(s) | 17 |
| 20. Loosely Wrap Cable Counter Clockwise Around the Cradle..... | 17 |



IMPORTANT SAFETY INSTRUCTIONS

ClipperCreek Electric Vehicle Supply Equipment (EVSE) is designed with the safety concerns of the end user as an utmost priority; however, the following safety precautions must be read and followed:

- The EVSE and electrical wiring should be installed by a qualified electrician in accordance with local electrical codes and ordinances.
- Grounding Instructions - The EVSE should be connected to a grounded, metal, permanent wiring system; or an equipment-grounding conductor should be run with circuit conductors and connected to a grounding terminal or lead on the EVSE. Connections to the EVSE should comply with all local electrical codes and ordinances.
- Call the local service provider anytime a procedural question arises; **DO NOT** attempt to perform a procedure you are unsure of.
- Read all installation instructions carefully before performing the pedestal and EVSE installation.

INSTALLATION REQUIREMENTS

Required Equipment for a Single-Mount Pedestal with one EVSE (One EVSE per Pedestal):

- One (1) ClipperCreek CS EVSE Pedestal Kit
- One (1) ClipperCreek CS EVSE
- One (1) dedicated 208 or 240V AC branch circuit
- One (1) circuit breaker, appropriately sized with respect to the charging capacity of the EVSE¹
- Two (2) Live Line conductors that are appropriately sized based on the EVSE power requirements with enough length to comfortably pull all the way through and above the top of the pedestal (5 feet of length is adequate)²
- One (1) Ground Line conductor with enough length to comfortably pull all the way through and above the top of the pedestal (5 feet of length is adequate)
- Conduit sized to fit all Live Line and Ground line conductors
- Four (4) Anchor Bolts with Nuts and Washers

Required Equipment for a Dual-Mount Pedestal with two EVSE (Two EVSE per Pedestal):

- One (1) ClipperCreek CS EVSE Pedestal Kit
- One (1) ClipperCreek CS Dual-Mount Pedestal Kit
- Two (2) ClipperCreek CS EVSE
- Two (2) dedicated 208 or 240V AC branch circuits
- Two (2) circuit breakers, appropriately sized with respect to the charging capacity of each EVSE¹
- Two pairs (2x2) Live Line conductors (one pair for each EVSE) that are appropriately sized based on the EVSE power requirements with enough length to comfortably pull all the way through and above the top of the pedestal (5 feet of length is adequate)²
- Two (2) Ground Line conductors (one for each EVSE) with enough length to comfortably pull all the way through and above the top of the pedestal or a single bonded Ground Line²
- Conduit sized to fit all Live Line and Ground Line conductors
- Four (4) Anchor Bolts with Nuts and Washers

¹ Refer to the EVSE documentation to determine the appropriate circuit breaker current capacity.

² All conductors must be appropriately sized for the EVSE current capacity, in accordance with local and NEC electrical codes.



TOOLS REQUIRED FOR ASSEMBLING THE CS PEDESTAL

The following tools are required for the installation and assembly of the pedestal components:

- T27 Torx Driver, in a variety of lengths for faster assembly. (Alternatively, a ratcheting driver can be used. If using a powered screwdriver, set it to a low torque value.)
- #2 Phillips Head Screwdriver
- Box Wrench (appropriately sized for the Anchor Nuts)
- Tube of Silicone Sealant

TOOLS REQUIRED FOR WIRING THE CS EVSE

The following tools are required for wiring the service conductors to a CS EVSE rated for a branch circuit of *up to* 60A:

- T15 Torx Driver (for EVSE Door Access)
- 3/16" Flathead Screwdriver (for Ground Block Lug)
- 1/4" Flathead Screwdriver (for Contactor Lugs)

The following tools are required for wiring the service conductors to a CS EVSE rated for a branch circuit *greater than* 60A:

- T15 Torx Driver (for EVSE Door Access)
- 5/16" Flathead Screwdriver (for Ground Block Lug)
- 5/32" Hex Head Wrench (for Contactor Lugs)



PEDESTAL DIMENSIONS

Figure 1: Pedestal Dimensions for Single-Mount and Dual-Mount Installations

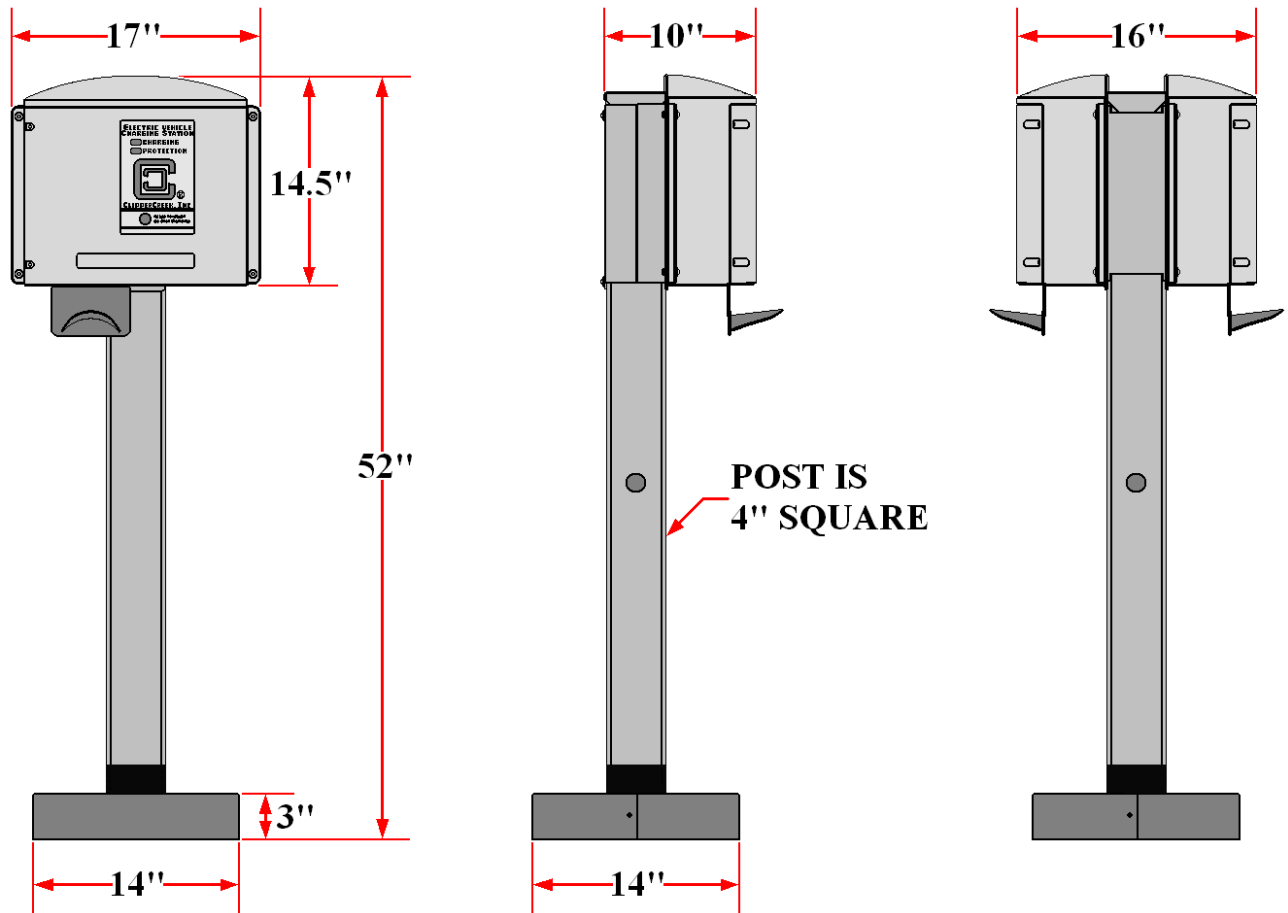


Figure 2: Pedestal Base Dimensions

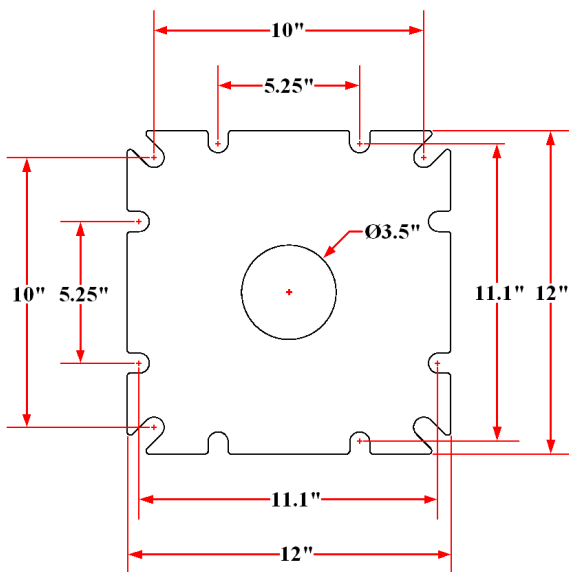
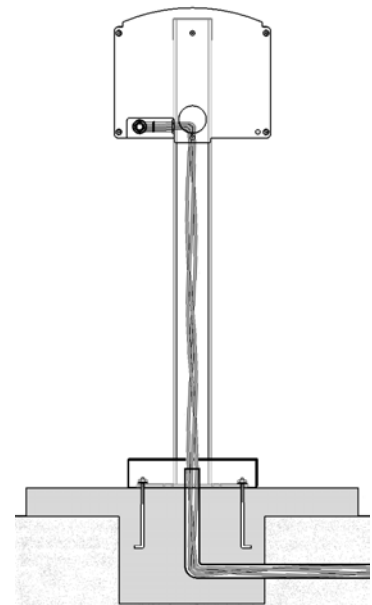


Figure 3: Installation Cross-Section





PACKING LISTS

0300-00-015 Pedestal Kit, Standard 4 Foot, Single Mount

| Part Number | QTY | Description |
|-------------|-----|---|
| 0300-06-001 | 1 | Pedestal Conduit Assembly, Standard ¾" Fitting |
| 1003-0014 | 1 | Pedestal Metalwork, Cap with Rear Flange |
| 1003-0019 | 1 | Pedestal Metalwork, Back Bracket |
| 1003-0023 | 2 | Pedestal Metalwork, Base Cover |
| 1003-0030 | 1 | Pedestal Metalwork, EVSE Mounting Plate |
| 1003-0031 | 1 | Pedestal Metalwork, 4-Foot Post |
| 4000-0010 | 4 | Machine Screw, Tapered Flat Head, 6-32 Size, ¾" Length, Phillips |
| 4000-0011 | 2 | Machine Screw, Tapered Flat Head, ¼" - 20 Size, ¾" Length, T27 Torx |
| 4000-0012 | 8 | Machine Screw, Button Head, ¼" - 20 Size, 1" Length, T27 Torx |
| 4002-0002 | 8 | Washer, Galvanized Steel, Neoprene Bonded Seal, ¼" ID, ⅝" OD |
| 4015-0000 | 4 | Plug, Plastic Push-In, 1 - ⅜" ID, 1 - ⅞" OD |
| 4015-0001 | 2 | Plug, Plastic Push-In, 1 - ⅜" ID, 1 - ½" OD |

OPTIONAL ORDERABLE ITEMS

0300-00-016 Dual-Mount Kit for Standard 4 Foot (Optional Extension Compatible)

| Part Number | QTY | Description |
|-------------|-----|---|
| 0300-06-001 | 1 | Pedestal Conduit Assembly, Standard ¾" Fitting |
| 1003-0015 | 1 | Pedestal Metalwork, Cap without Rear Flange |
| 1003-0017 | 2 | Pedestal Metalwork, Side Bracket |
| 1003-0030 | 1 | Pedestal Metalwork, EVSE Mounting Plate |
| 4000-0011 | 2 | Machine Screw, Tapered Flat Head, ¼" - 20 Size, ¾" Length, T27 Torx |
| 4000-0012 | 4 | Machine Screw, Button Head, ¼" - 20 Size, 1" Length, T27 Torx |
| 4002-0002 | 4 | Washer, Galvanized Steel, Neoprene Bonded Seal, ¼" ID, ⅝" OD |

0300-06-002 Optional 1" Conduit Assembly

| Part Number | QTY | Description |
|-------------|-----|--|
| 0300-06-002 | 1 | Pedestal Conduit Assembly, Optional 1" Fitting |

0300-06-005 Optional GFCI Receptacle Kit

| Part Number | QTY | Description |
|-------------|-----|----------------------------------|
| 0300-06-005 | 1 | 120V Ground Fault Receptacle Kit |



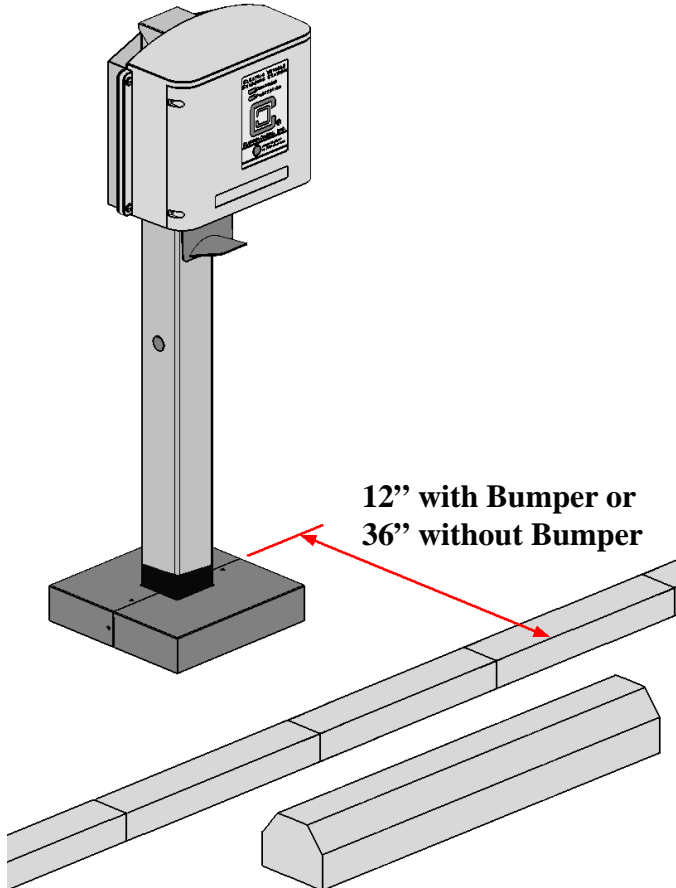
INITIAL PEDESTAL INSTALLATION

1. Concrete Pad Requirements

The location, dimensions, and composition of the concrete pad underlying the pedestal should always adhere to local building codes. The following dimensions are minimum recommended values. Always verify that installation plans adhere to local code requirements prior to proceeding.

- The pad area must be a minimum of 18” to a side.
- The concrete must be poured a minimum depth of 18”.
- If there is no bumper block, the center of the pedestal base should be situated 36” behind the curb.
- If a bumper block is in place, the center of the pedestal base should be situated 12” behind the curb.

Figure 4: Proper Distance from the Curb



2. Anchor Bolt Placement

A minimum of four (4) anchor bolts must be embedded in the concrete pad for the purposes of securing the pedestal post. The pedestal base is designed to permit the anchor bolts to be arranged in a standard 10” by 10” pattern (recommended) or in an alternative 5.25” by 11.1” pattern.

Standard 10” x 10” Square Pattern:

- Arrange four (4) ½” or ¾” anchor bolts in a 10” square pattern. This placement corresponds to the corner cutouts in the pedestal base.

Alternate 5.25” x 11.1” Rectangular Pattern:

- Arrange four (4) ¾” anchor bolts in a 5.25” by 11.1” rectangular pattern. This placement corresponds to the inner cutouts of the pedestal base.

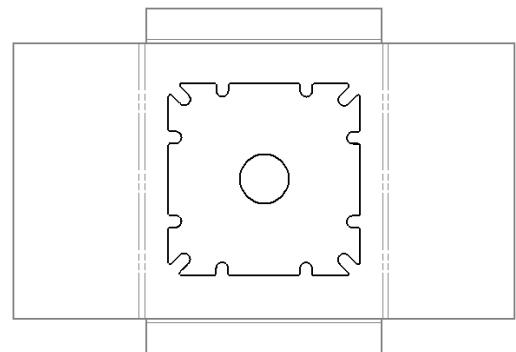
Maximum Anchor Bolt Height:

- The anchor bolts should not protrude more than 3” above the surface of the concrete pad.

Use the Pedestal Base Pattern Template:

- To better facilitate the installation of the anchor bolts, a cardboard template in the shape of the pedestal base is included in the pedestal kit. A template is provided as a knock-out piece on the back of the cardboard box in which the EVSE mounting plate is packaged. The base pattern is shown in Figure 5.

Figure 5: Bolt Pattern Template





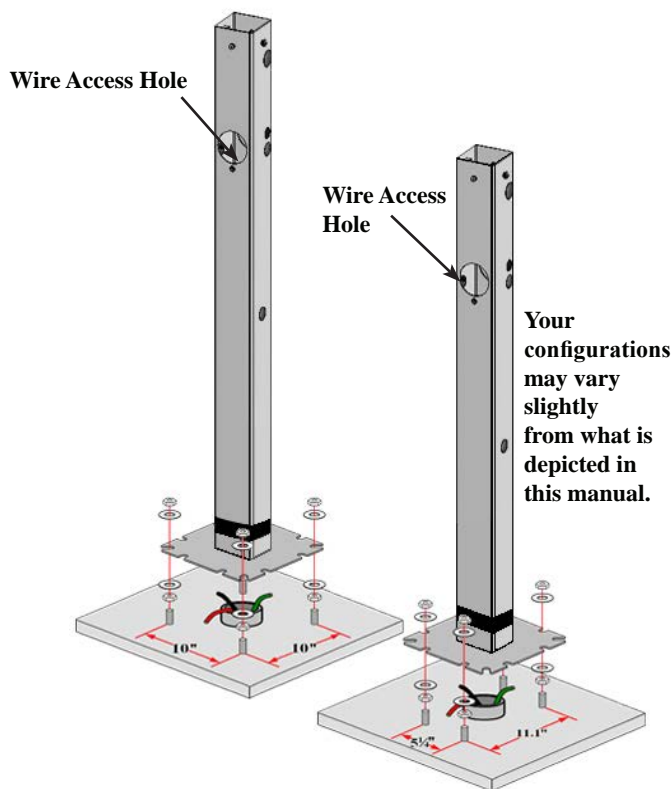
INITIAL PEDESTAL INSTALLATION (continued)

3. Mounting the Pedestal Post

Once the concrete pad with anchor bolts has been prepared and the service conductors have been pulled through the underground conduit, the pedestal post may be placed.

- Feed all service conductors up through the inside of the pedestal post. The conductors must be of sufficient length to pass beyond the top of the pedestal so that final connections can be worked with comfortably at a later step.
- Align the pedestal post base notches with the four anchor bolts and ease it into place.
- Nuts and washers may be used under the pedestal base to adjust the vertical alignment of the pedestal should the concrete pad not be level.
- Secure the pedestal post base to the concrete anchor bolts using appropriately sized nuts and washers.
- The anchor bolts, nuts and washers used for the installation of the pedestal base are not included in the pedestal kit and must be purchased separately.

Figure 6: Pedestal Post Mounting by Pattern

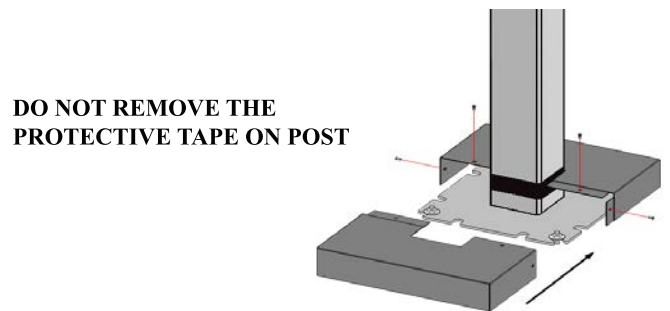


4. Install the Pedestal Base Cover

A two-piece pedestal base cover set is included in the pedestal kit. The purpose of the pedestal base cover is to beautify the installation and to protect against injury from protruding anchor bolts.

- The two covers are of an identical overlapping design.
- Slide one cover on the front side of the pedestal base until the center notch surrounds half of the pedestal post. Slide the other cover onto the rear side in the same manner. Ensure that the flanges of each cover piece are tucked inside of the opposite cover.
- Align the four screw holes of each cover piece with the corresponding screw holes on the opposite cover.
- Secure each cover piece to the other with four (4) #6-32 x 3/8" flat-head tapered screws using a #2 Philips-head screwdriver.

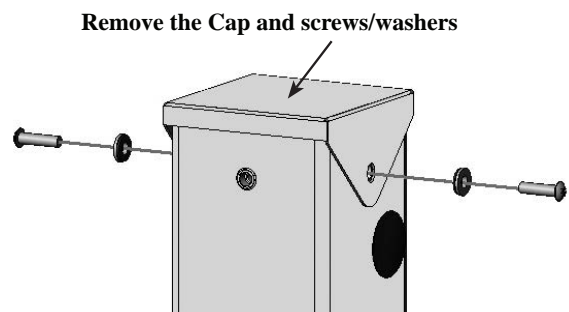
Figure 7: The Pedestal Base Covers



5. Remove the Pedestal Post Cap

A pedestal cap is provided to cover the opening to protect the conductors and inner pedestal from the elements. It may have already been assembled on the post for protection during shipping. Remove the Cap from the top of the pedestal

Figure 8: Pedestal Post Cap Removal





INITIAL PEDESTAL INSTALLATION (continued)

6. Install the Conduit Assembly

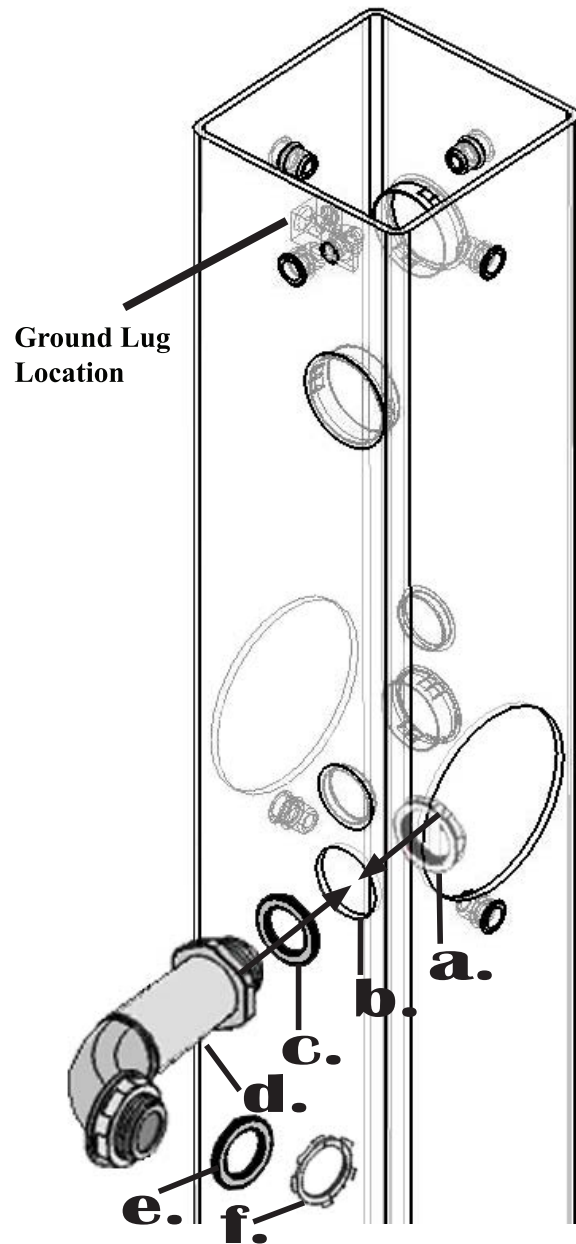
The service conductors are routed through the side of the pedestal and into the back of the EVSE via an external conduit assembly. **NOTE: For a Dual-Mount installation, these instructions must be repeated for the opposite side.**

For the Standard 3/4" Conduit Assembly:

Follow these instructions and refer to **Figure 9** to install the standard 3/4" conduit assembly included in the pedestal kit.

- It is highly recommended that connection to the Ground Lug inside the Pedestal Post be completed at this time. **Access will be limited after this step.**
- Remove the 3/4" plastic plug located 12" down from the top of the pedestal on the left side.
- Unscrew locknut (**a**) from the end of the conduit.
- Route the three conductors through the following:
 - a) The inner locknut (inside of the pedestal)
 - b) The open pedestal hole
 - c) The first plastic washer (make sure the washer is on the outside of the pedestal)
 - d) The conduit assembly
 - e) The second plastic washer (make sure the washer is on the outside of the EVSE)
 - f) The outer locknut
- Push the threaded end of the straight conduit fitting into the open pedestal hole. Reach inside of the pedestal and hand-tighten the locknut (**a**) onto the conduit threads.
- **IMPORTANT: Remove the locknut (f) at the end of the conduit assembly; this will be needed in a later step.** See locknut (f) in **Figure 9**. Face the open end of the 90 degree conduit fitting forward for later insertion into the back of the EVSE.

Figure 9: Standard 3/4" Conduit Assembly





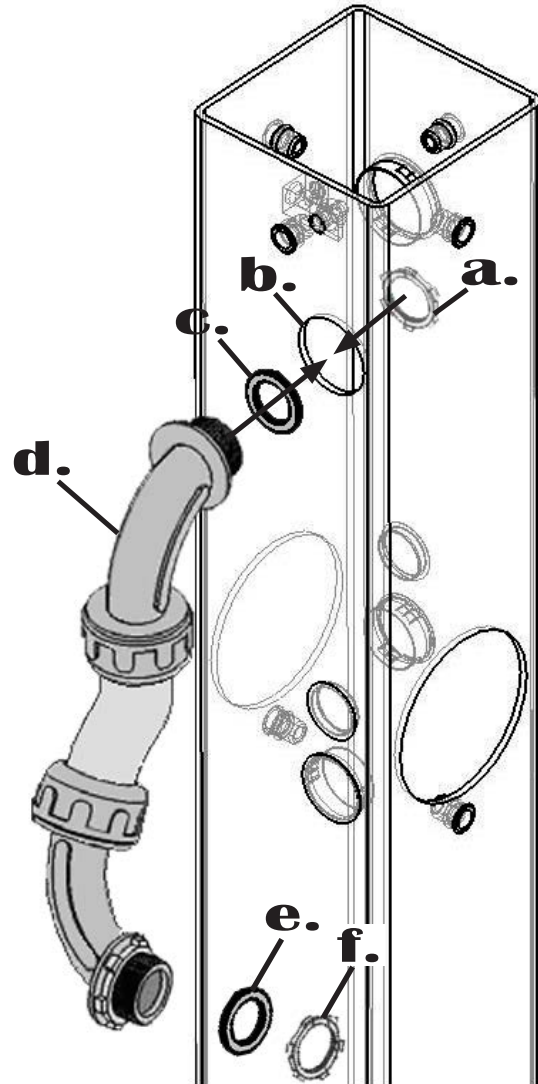
INITIAL PEDESTAL INSTALLATION (continued)

For the Optional 1" Conduit Assembly:

Some installations may require a conduit larger than the standard 3/4" assembly. For this purpose, an optional 1" conduit assembly may be requested. Follow these instructions and refer to **Figure 10** to install the optional 1" conduit.

Figure 10: Optional 1" Conduit Assembly

- It is highly recommended that connection to the Ground Lugs inside the Pedestal Post be completed at this time. **Access will be limited after this step.**
- Remove the 1" plastic plug located 3" down from the top of the pedestal on the left side.
- Unscrew the locknuts on either end of the conduit.
- Route the three conductors through the following:
 - a) The inner locknut (inside of the pedestal)
 - b) The open pedestal hole
 - c) The first plastic washer (make sure the washer is on the outside of the pedestal)
 - d) The conduit assembly
 - e) The second plastic washer (make sure the washer is on the outside of the EVSE)
 - f) The outer locknut
- The 1" conduit assembly may be disassembled to make it easier to pull the conduit through each fitting. Ensure the conduit is fully reassembled before proceeding.
- **IMPORTANT: Remove the locknut (f) at the end of the conduit assembly; this will be needed in a later step. See locknut (f) in Figure 10.** Face the open end of the 90 degree conduit fitting forward for later insertion into the back of the EVSE.





INITIAL PEDESTAL INSTALLATION (continued)

7. Re-install the Pedestal Post Cap

A pedestal cap is provided to cover the opening to protect the conductors and inner pedestal from the elements. Install the appropriate pedestal cap for a single or dual-mount EVSE installation.

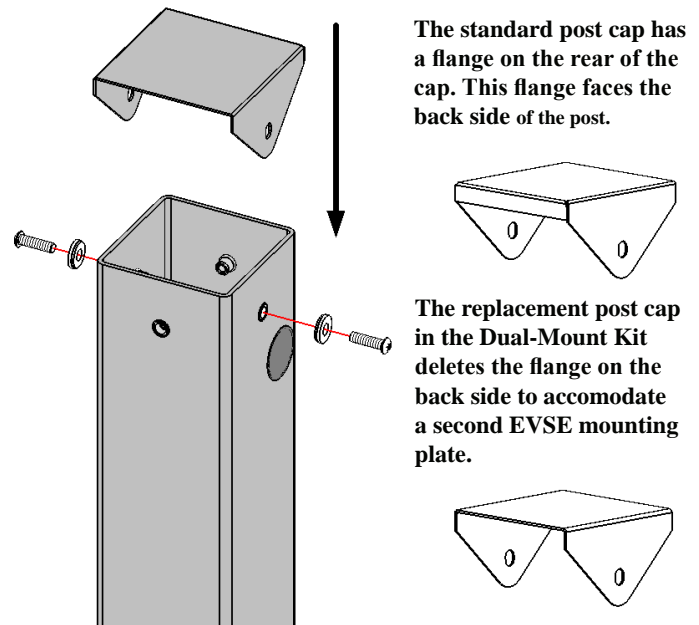
For Single-Mount EVSE Installations:

- Single-mount EVSE installations utilize the standard post cap provided in the pedestal kit. This post cap includes a flange on one side. Place the post cap onto the top of the pedestal, with the flange facing the rear.
- Align the screw hole on each side of the post cap with the corresponding threaded insert on the side of the pedestal.
- Place a ¼" Neoprene-bonded sealing washer around the shaft of two (2) ¼"- 20 x 1" Torx button-head screws. The metal portion of the washer should face the head of the screw while the neoprene should face the tip of the screw.
- Secure the cap to the pedestal with the two (2) ¼"- 20 x 1" Torx button-head screws (with washers) using T27 Torx driver.

For Dual-Mount EVSE Installations:

- Dual-mount EVSE installations utilize a *replacement* post cap provided in the Dual-Mount Kit. This post cap lacks a flange at the rear. Place the post cap onto the top of the pedestal.
- Align the screw hole on each side of the post cap with the corresponding threaded insert on the side of the pedestal.
- Place the ¼" Neoprene-bonded sealing washer around the shaft of two (2) ¼"- 20 x 1" Torx button-head screws. The metal portion of the washer should face the head of the screw while the neoprene should face the tip of the screw.
- Secure the cap of the two (2) ¼"- 20 x 1" Torx button-head screws (with washers) using a T27 Torx driver.

Figure 11: The Pedestal Post Cap





INITIAL PEDESTAL INSTALLATION (continued)

8. Install the CS EVSE Mounting Plate(s)

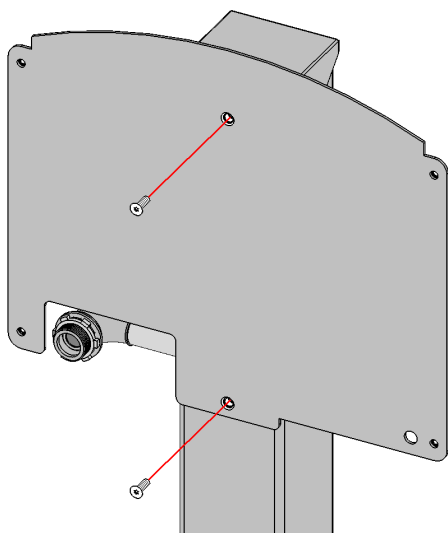
An EVSE mounting plate is affixed to the front of the pedestal post to provide flat and rigid base on which the EVSE(s) can be mounted. In the case of a Dual-Mount installation, a second mounting plate is affixed to the opposite side of the pedestal post.

- Hold the EVSE mounting plate against the front side of the pedestal post with the notch toward the left side to allow clearance for the conduit as shown in **Figure 12**.
- Align the two screw holes along the centerline of the mounting plate with the corresponding threaded inserts on the front of the pedestal post.
- Secure the mounting plate to the pedestal with the two (2) ¼ - 20 x ¾" Torx flat-head tapered screws using a T27 Torx driver. Tighten until the head of the screw is flush with the surface of the mounting plate.

For Dual-Mount EVSE Installations:

- The Dual-Mount Kit includes a second EVSE mounting plate. This second mounting plate is affixed to the back side of the pedestal post, opposite of the first mounting plate.
- As with the first mounting plate, align the two screw holes and tighten two (2) ¼" - 20 x ¾" Torx flat-head tapered screws using a T27 Torx driver until the screw head is flush with the surface of the mounting plate.

Figure 12: The CS EVSE Mounting Plate



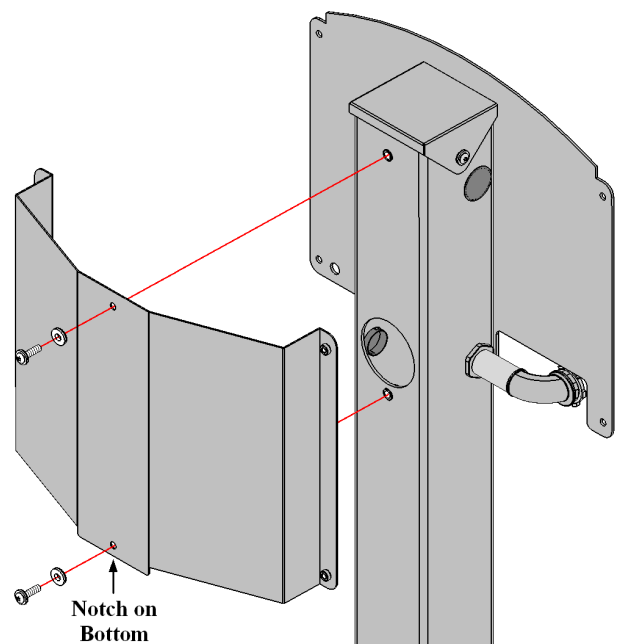
9. Install the Single CS EVSE Back Bracket

A bracket with threaded inserts is included with the pedestal kit to make the installation more rigid and to provide threaded inserts for mounting the EVSE.

➔ *Note that this bracket is **not used** for dual EVSE installations.*

- The top edge of the bracket is flush along its length, while the bottom edge of the bracket has a metal notch in the middle to accommodate a screw hole.
- Hold the bracket against the back side of the pedestal post with the flanges coming into contact with the rear of the previously installed EVSE mounting plate.
- Align the two screw holes along the centerline of the bracket with the corresponding threaded inserts on the back of the pedestal post.
- Place a ¼" Neoprene-bonded sealing washer around the shaft of two (2) ¼" - 20 x 1" Torx button-head screws. The metal portion of the washer should face the head of the screw while the neoprene should face the tip of the screw. *Note that the neoprene washer must be used to maintain a watertight seal.*
- Secure the bracket to the pedestal with two (2) ¼" - 20 x 1" Torx button-head screws (with washers) using a T27 Torx driver.

Figure 13: The Single CS EVSE Back Bracket





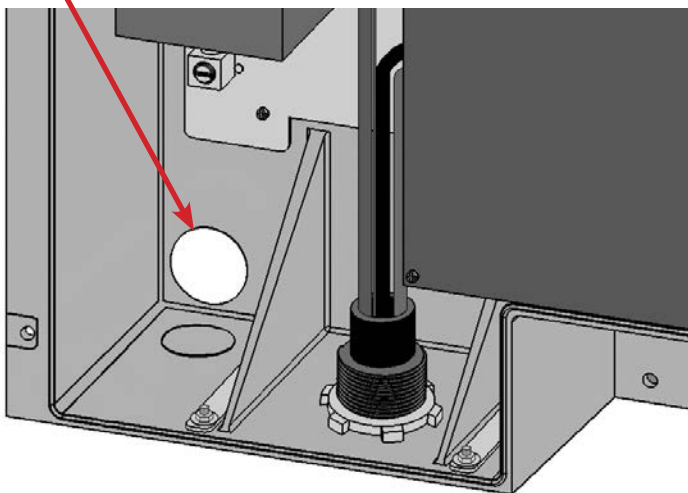
MOUNTING THE EVSE(s)

10. EVSE Knockout Removal

- To open the EVSE door, remove the two door screws on the left side of the EVSE enclosure using a T15 Torx driver.
- Unlock the safety latch found on the bottom of the EVSE enclosure and swing the door open.
- Carefully knock out the molded knockout found at the bottom left corner of the rear wall of the CS EVSE enclosure for the wiring and conduit entrance. Refer to **Figure 14**.
- Repeat on second EVSE if a Dual Mount.

Figure 14: EVSE Knockout Position

Use Rear Wall
Knockout



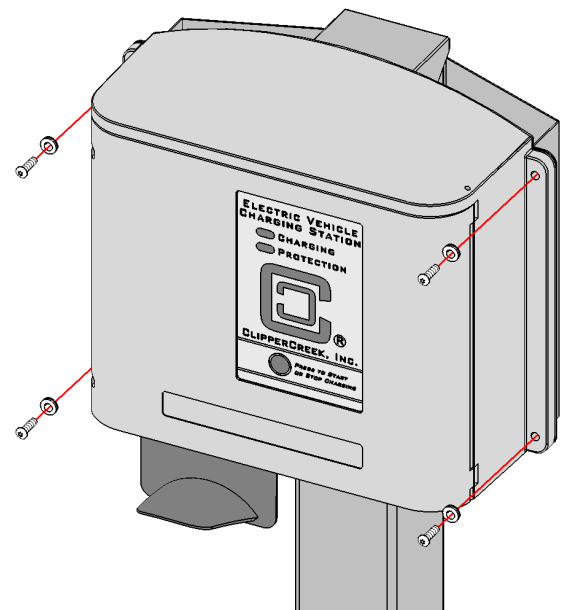
11. Mounting a Single EVSE to the Pedestal

With the mounting plate and back bracket in place, the pedestal is now ready for a single EVSE to be mounted. For a dual EVSE Installation, proceed to **Step 12**.

➔ *This operation should be performed by two installers, one to hold the EVSE in place while the other secures the pedestal hardware*

- Place a ¼" Neoprene-bonded sealing washer around the shaft of four (4) ¼" - 20 x 1" Torx button-head screws. The metal portion of the washer should face the head of the screw while the neoprene should face the tip of the screw.
- Pull the three conductor wires into the enclosure and insert the threaded end of the 90 degree conduit fitting into the open aperture.
- Align the four screw holes on the side flanges of the EVSE with the corresponding screw holes in the mounting plate and the thread inserts on the back bracket.
- Secure the EVSE to the pedestal mounting plate and bracket with the four (4) ¼" - 20 x 1" Torx button-head screws (with washers) using a T27 Torx driver.

Figure 15: Mounting a Single CS EVSE





MOUNTING THE EVSE(s) and FINAL PEDESTAL INSTALLATION

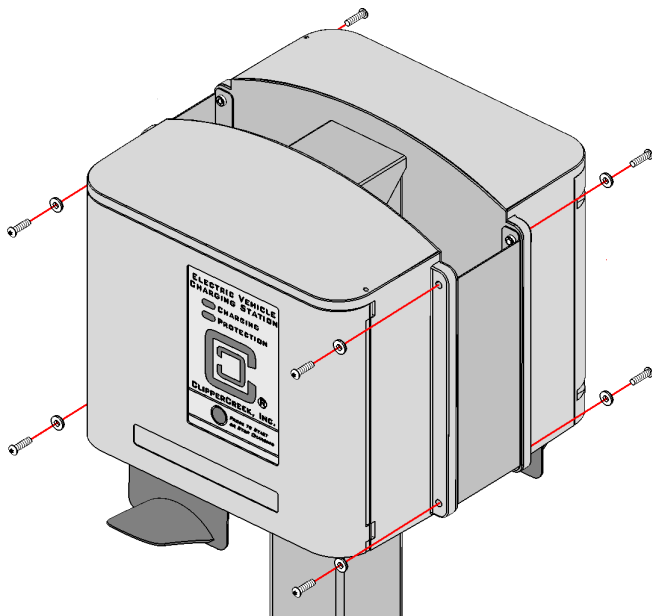
12. Mounting Two EVSE to the Pedestal

For an installation with two EVSE affixed to the same post, the CS Dual-Mount Kit provides two side brackets to be used in place of the single back bracket.

➔ ***This operation should be performed by two installers, one to hold the EVSE in place while the other secures the pedestal hardware***

- Place a ¼” Neoprene-bonded sealing washer around the shaft of eight (8) ¼” - 20 x 1” Torx button-head screws. The metal portion of the washer should face the head of the screw while the neoprene should face the tip of the screw.
- Pull the three conductor wires into the enclosure and insert the threaded end of the 90 degree conduit fitting into the open aperture.
- Align the four screw holes on the side flanges of the first EVSE with the corresponding screw holes in the front mounting plate.
- Align the two threaded inserts of each side bracket with the corresponding screw holes either side of the EVSE and mounting plate.
- Secure the EVSE to the pedestal mounting plate and bracket with the four (4) ¼” - 20 x 1” Torx button-head screws (with washers) using a T27 Torx driver.
- Repeat for the second EVSE.

Figure 16: Mounting Two EVSE with Side Brackets



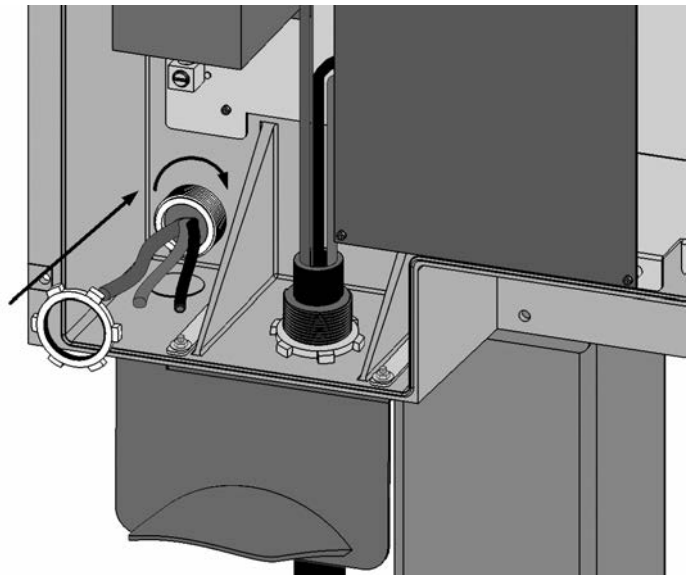
13. Seal the Conduit and Enclosure

It is necessary to ensure a good environmental seal between the conduit piece and the rear wall of the EVSE.

- Thread the remaining conduit locknut onto the conduit fitting and hand-tighten it until it is snug. See Figure 17.

➔ ***Apply silicone sealant to fill the conduit where it enters the enclosure. Use a sufficient quantity of silicone to ensure that no water or debris may enter the enclosure through the conduit.***

Figure 17: Tighten the Conduit Lock Nut





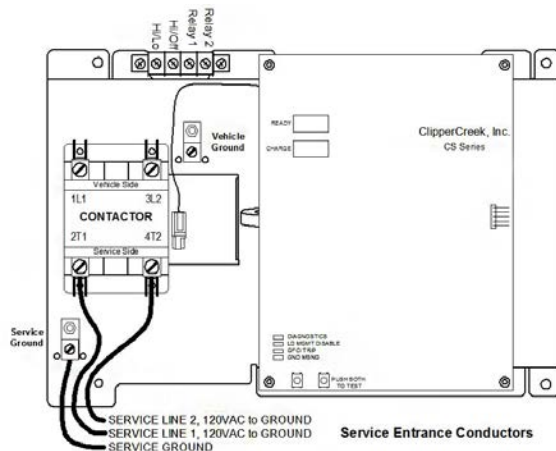
FINAL PEDESTAL INSTALLATION

14. Wiring the Conductors to the EVSE

The three service conductors must be wired to the EVSE internal chassis and contactor.

- Strip the end of the ground conductor and insert the exposed wire into the *Service Ground Terminal Block*.
- Tighten the *Service Ground Terminal* screw using an appropriately sized flathead screwdriver.
- Strip the ends of the two live conductors. Insert the exposed wire of the first live conductor into the “2T1” terminal on the bottom of the contactor.
- Insert the exposed wire of the second live conductor into the “4T2” terminal on the bottom of the contactor.
- Tighten the contactor terminal blocks using ¼” flathead screwdriver or 5/32” hex head wrench.

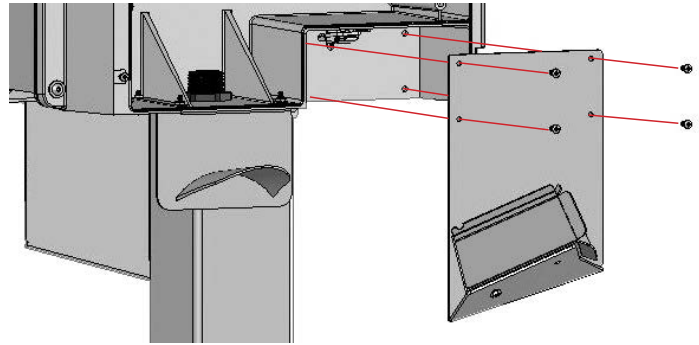
Figure 18: Wire Service Conductors to the Chassis



15. Install the CS Series Connector Holster(s)

- Attach the Connector Holster Assembly to the CS Unit using the four machine screw fasteners provided with the Holster assembly. The Holster will attach to the CS unit on the lower right hand corner of the enclosure, just below the door latch. Use a #2 Phillips screwdriver for installation. **(If using a powered screwdriver, set it to a low torque value.)**
- Place connector into the holster for storage.

Figure 19: Install the CS Series Connector Holster(s)



16. Complete the Installation

- Close the EVSE door and lock the safety latch. Replace the two door screws on the left side of the EVSE enclosure and tighten them using a T15 Torx driver. **Do not overtighten.**
- Verify the safety of the installation prior to turning on the circuit breaker.
- Refer to the CS EVSE User Manual for further operational and maintenance information.
- Mount the cable saddle that is included with the CS EVSE at this time if it was not previously installed.

17. Wrap and Stow the Vehicle Connector(s)

- Loosely wrap the cable counter clockwise around the CS EVSE cradle as shown in **Figure 20**.
- Verify the safety of the installation prior to turning on the circuit breaker.
- Refer to the Charging Station User Guide for further operational and maintenance information.

Figure 20: Loosely Wrap Cable Counter Clockwise around the the Cradle



INSTALLATION OF THE CS EVSE IS NOW COMPLETE. PLEASE REFER TO THE CS USER MANUAL FOR TROUBLE-SHOOTING AND ADDITIONAL INFORMATION.



CUSTOMER SUPPORT

Call your Service Representative at any time, 24 hours a day, at the number below. **PLEASE HAVE THE MODEL NUMBER AND SERIAL NUMBER AVAILABLE WHEN YOU CALL.** These can be found on the side of the enclosure. If your call is made after business hours or on weekends, please leave your name, telephone number, the unit's serial number, and a brief description of the problem. A Service Representative will call back at the earliest opportunity.

**Distributor Service
Number Here**

**TO CONTACT CLIPPERCREEK, INC. DIRECTLY FOR SERVICE CALL (877) 694-4194
MONDAY THROUGH FRIDAY BETWEEN 8:00AM AND 5:00PM PACIFIC STANDARD TIME.**



LIMITED WARRANTY – ELECTRIC VEHICLE SUPPLY EQUIPMENT and ACCESSORIES

Enphase Energy, Inc. through its ClipperCreek division
11850 Kemper Road
Auburn, California 95603
Phone: 877-694-4194
Email: information@clippercreek.net

Subject to the terms and conditions below, Enphase Energy, Inc. (“**Enphase**”) provides the following limited warranty to the original purchaser of the products (“**Covered Owner**” or “**you**”):

Product 1-year parts, 1-year factory labor:

Subject to the terms and conditions below, Enphase warrants the product to be free from defects in material and workmanship for a period of 1 year commencing on the date of installation (first use) (the “**Warranty Period**”). Except where prohibited by applicable law, the product installation date must be evidenced and communicated to Enphase by way of the product registration card (or its equivalent). The product registration card must be filled out completely and accurately, and returned to Enphase within 30 days after installation, and the product installation date shall be within 6 months after the purchase date. If a Product installation date is not communicated to Enphase as described above, the product purchase date indicated in the Covered Owner’s proof of purchase for the product shall serve as the start date of the Warranty Period.

If Enphase confirms the existence of a defect that is covered by this Limited Warranty, Enphase will, at its option, repair or replace the product, or refund the actual purchase price for the product less reasonable depreciation based on use at the time that Enphase is notified of the defect. Enphase will not elect to issue a refund unless (i) Enphase is unable to provide a replacement and repair is not commercially practicable or cannot be timely made, or (ii) Covered Owner is willing to accept such a refund. If a defect in material or workmanship exists in the product, to the extent permitted by law, these are the sole and exclusive remedies. Repair parts and/or replacement products may be either new or reconditioned at Enphase’s discretion. This limited warranty does not cover defects caused by improper installation or use, including but not limited to improper connections with peripherals, external electrical faults, accident, disaster, misuse, abuse, or modifications to the product not approved in writing by Enphase. Any service repair outside the scope of this limited warranty shall be at applicable rates and terms then in effect. This warranty covers factory parts and factory labor only; it does not cover field service or removal and replacement of the product or any other costs.

All other express and implied warranties for this product including the warranties of merchantability, fitness for a particular purpose, and non-infringement are hereby disclaimed. Some states do not allow the exclusion of implied warranties or limitations on how long an implied warranty lasts, so the above limitation may not apply to you. In no event will Enphase, any of its authorized sales and service representatives, or its parent company be liable to Covered Owner or any third party for any damages in excess of the purchase price of the product. This limitation applies to damages of any kind including any direct or indirect damages, lost profits, lost saving or other special, incidental, exemplary or consequential damages whether for breach of contract, tort or otherwise or whether arising out of the use of or inability to use the product, even if Enphase or an authorized Enphase representative or dealer has been advised of the possibility of such damages or of any claim by any other party. Some states do not allow the exclusion or limitation of incidental damages for some products, so the above limitation or exclusion may not apply to you. This warranty gives you specific legal rights, and you may also have other rights which may vary from state to state.

To obtain warranty service:

Call your nearest authorized Service Representative or the ClipperCreek division of Enphase at the above number. You will receive information as to how service for the product will be provided. If you mail or ship the product in for service, you must insure the product, prepay all shipping charges, and properly pack it for shipment in its original shipping container or its equivalent. You are responsible for all loss or damage that may occur in transit. You must provide proof of purchase for the product and the purchase date before any warranty service can be performed.



CLIPPERCREEK, INC.

11850 KEMPER RD., SUITE E

AUBURN, CA 95603

WWW.CLIPPERCREEK.COM

(877) 694-4194